

INSERTED PIN TZH ZnAl

Usage:

- fixing flashings
- mounting perforated mounting tapej
- fixing clamps

Advantages:

- quick and easy assembly
- difficult dismounting
- low cost of unit fixing



Pin material:

The expansion sleeve made of zinc and aluminum alloy, while the nail is made of ordinary steel, carbon steel and is covered with a layer of zinc not less than 5µm thick

Substrate material:

Concrete, natural stone, full ceramic brick, full silicate brick

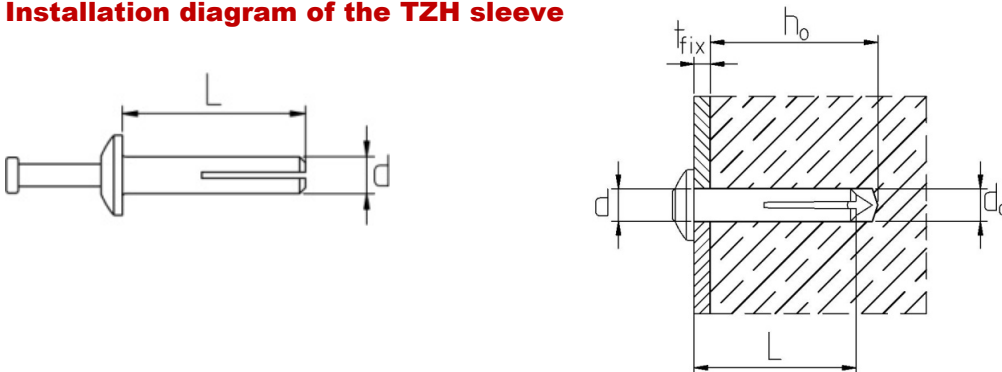
The way of marking the pins TZH

Symbol	Hole diameter d_o [mm]	Pin Length L [mm]
TZH	06	050

Technical parameters of the TZH pins

Product Code	Sleeve diameter	Hole Dia. in the base material	Min. hole depth	Pin Length	Max. thickness in the fixed element	Recommended load capacity for pulling out and shearing		
	[mm]	[mm]	[mm]			Concrete C20/25	Full brick	Silicate brick
	d	d_o	h_o	L	t_{fix}	[kN] N_{rec}	[kN] N_{rec}	[kN] N_{rec}
TZH06030	6	6	22	30	8	0,4	0,4	0,4
TZH06040	6	6	22	40	18	0,4	0,4	0,4
TZH06050	6	6	22	50	28	0,4	0,4	0,4
TZH06065	6	6	22	65	43	0,4	0,4	0,4

Installation diagram of the TZH sleeve



TZH pin mounting diagram

