

TRUTEK TMFA - ANCHORS FOR INSTALLING FRAMES



Usage:

- frame fixing of steel door frames
- fixing door and window frames
- fastening slats and wooden laths

Advantages:

- during installation, the anchor does not pull the window frame to the ground
- galvanized anchor sleeve up to 20µm which ensures good corrosion resistance
- possibility of partial disassembly of the attachment
- non-flammable fixing

Anchor material:

Anchor bolt made of galvanized carbon steel up to 5µm. The expansion tube is made of ordinary galvanized carbon steel up to 20µm.

Substrate material:

Concrete, full ceramic brick and checker, Porotherm hollow brick, full and hollow silicate brick, aerated concrete,

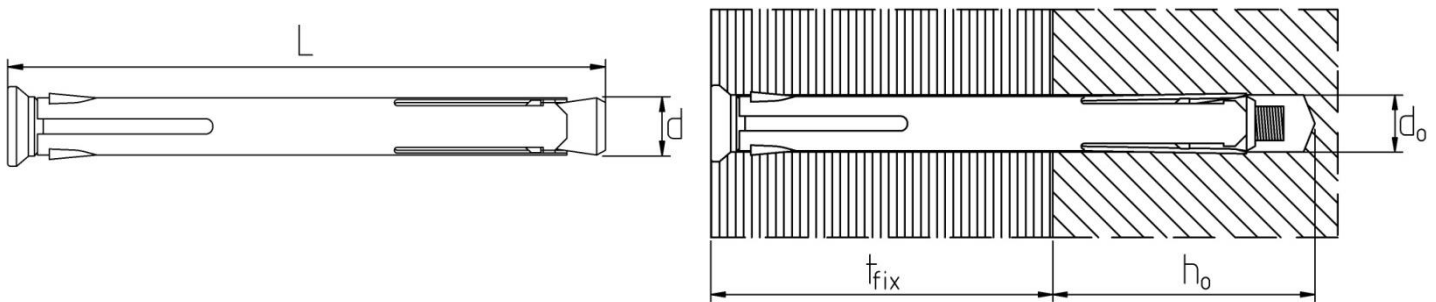
Method for determining TMFA anchors

Symbol	Hole diameter up to d_o [mm]	Anchor length L[mm]
TMFA10072	10	072

Technical parameters of the TMFA door anchor

Product code	Sleeve diameter [mm] d	Hole Dia in the base material [mm] d_o	Min. hole depth [mm] h_o	Anchor length [mm] L	Max. thickness of the fixed element [mm] t_{fix}	Max. tightening torque [Nm] T_{inst}	Recommended pull-out / shear load capacity N_{rec}				
							Concrete C20/25	Full brick	Silicate brick	Porotherm	Hollow brick and aerated concrete
							[kN] N_{rec}	[kN] N_{rec}	[kN] N_{rec}	[kN] N_{rec}	[kN] N_{rec}
TMFA10072	10	10	30	72	42	5	1,5/1,0	1,0/0,5	1,0/0,5	0,8/0,4	0,5/0,5
TMFA10092	10	10	30	92	62	5	1,5/1,0	1,0/0,5	1,0/0,5	0,8/0,4	0,5/0,5
TMFA10112	10	10	30	112	82	5	1,5/1,0	1,0/0,5	1,0/0,5	0,8/0,4	0,5/0,5
TMFA10132	10	10	30	132	102	5	1,5/1,0	1,0/0,5	1,0/0,5	0,8/0,4	0,5/0,5
TMFA10152	10	10	30	152	122	5	1,5/1,0	1,0/0,5	1,0/0,5	0,8/0,4	0,5/0,5
TMFA10182	10	10	30	182	152	5	1,5/1,0	1,0/0,5	1,0/0,5	0,8/0,4	0,5/0,5
TMFA10202	10	10	30	202	172	5	1,5/1,0	1,0/0,5	1,0/0,5	0,8/0,4	0,5/0,5

Installation diagram of TMFA anchors



Installation diagram of TMFA anchors

