

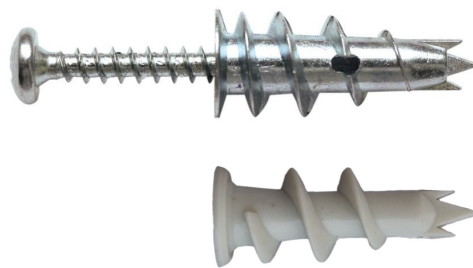
TRUTEK TDPA & TNPA ANCHOR FOR PLASTERBOARD PANELS

Usage:

- fixing pictures, lighting, wooden slats and cable strips to plasterboards
- mounting alarms, cameras and motion sensors

Advantages:

- fixing to the board thickness
- simple and quick assembly and disassembly
- The board does not require pre-drilling



Anchor material:

The screw is made of galvanized steel, carbon steel up to 5µm, the TDPA anchor is made of zinc and aluminum alloy. The TNPA anchor is made of high quality Nylon.

Substrate material:

Plasterboard.

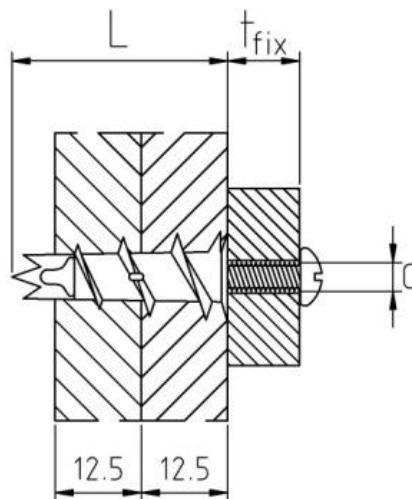
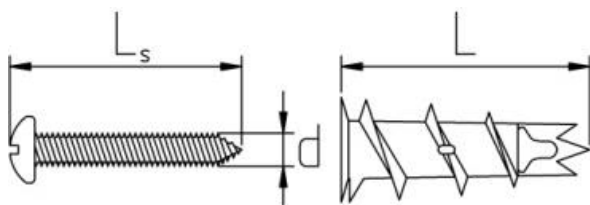
Method of determining TDPA and TNPA screws

Symbol	Anchor material
TDPA	Aluminum zinc alloy
TNPA	Nylon

Technical parameters of TDPA and TNPA anchors

Product Code	Screw diameter [mm] d	Screw length [mm] L _s	Anchor length [mm] L	Max. thickness of the fixed element [mm] t _{fix}	Recommended pull-out / shear load capacity N _{rec} / V _{rec}	
					Single plasterboard 1x12.5 mm	Double plasterboard 2x12.5mm
					[kN] N _{rec} /V _{rec}	[kN] N _{rec} /V _{rec}
TDPA (Zinc)	4	30	30	15	0,07/0,18	0,1/0,27
TNPA (Nylon)	4	30	35	15	0,07/0,18	0,1/0,27

Installation diagram of TDPA and TNPA anchors



Installation diagram for TDPA and TNPA anchors

